




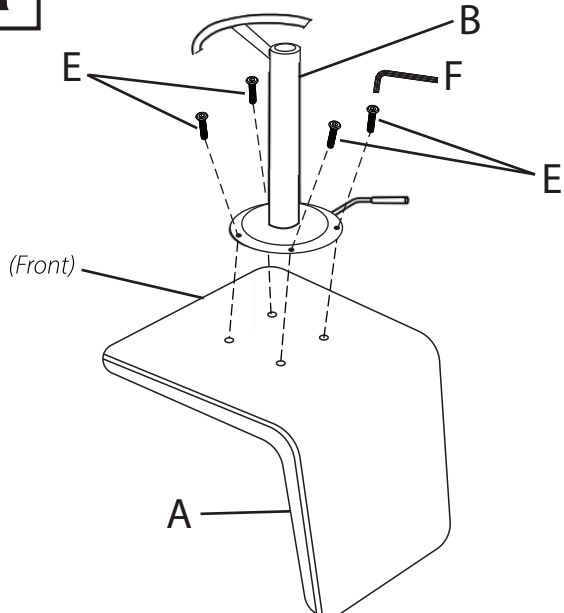
Adjustable Barstool Base - Rounded T

Part # J33M-RNT R17 XX2

26-0429

 <p>(Seat May Vary)</p> <p>A</p>	<p>PARTS</p>  <p>B C D E F</p>						 <p>x2 (M6x20mm) (Optional)</p> <p>*G *H</p>
--------------------------------------------------------------------------------------------------------------------------	--------------------------------------------------------------------------------------------------------------------------------------------------------------------------------	--	--	--	--	--	----------------------------------------------------------------------------------------------------------------------------------------------------

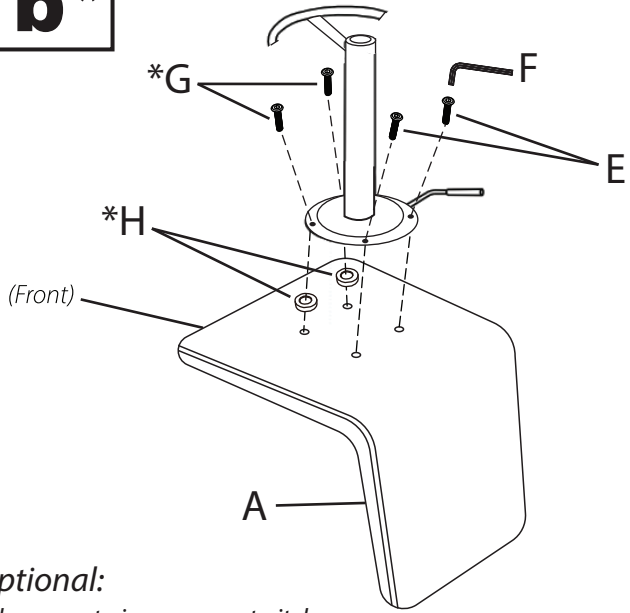
1a For smaller hole pattern



(Front)

A

1b*

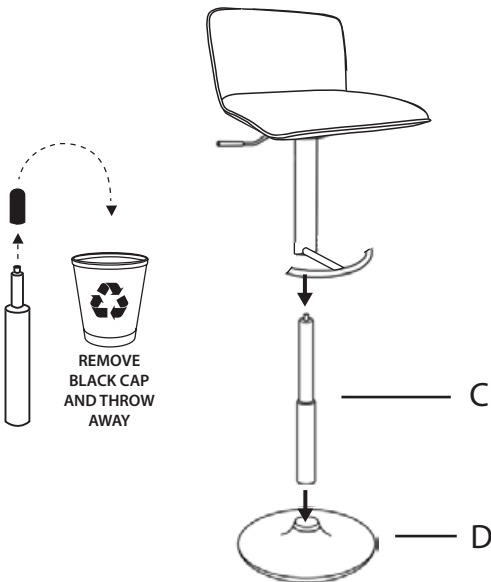


(Front)

A

**Optional:
 Add spacers to increase seat pitch.*

2

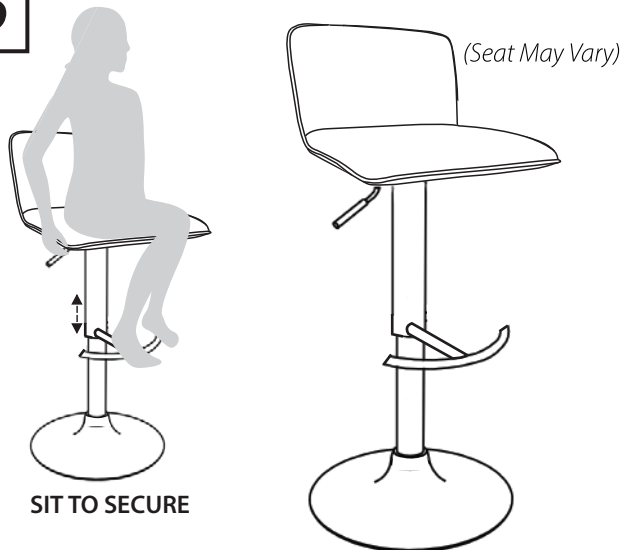


REMOVE BLACK CAP AND THROW AWAY

C

D

3



(Seat May Vary)

SIT TO SECURE


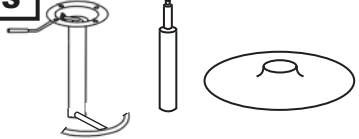
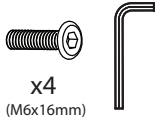
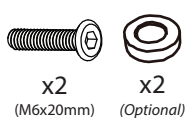
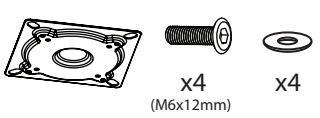
⚠ WARNING: SEATING

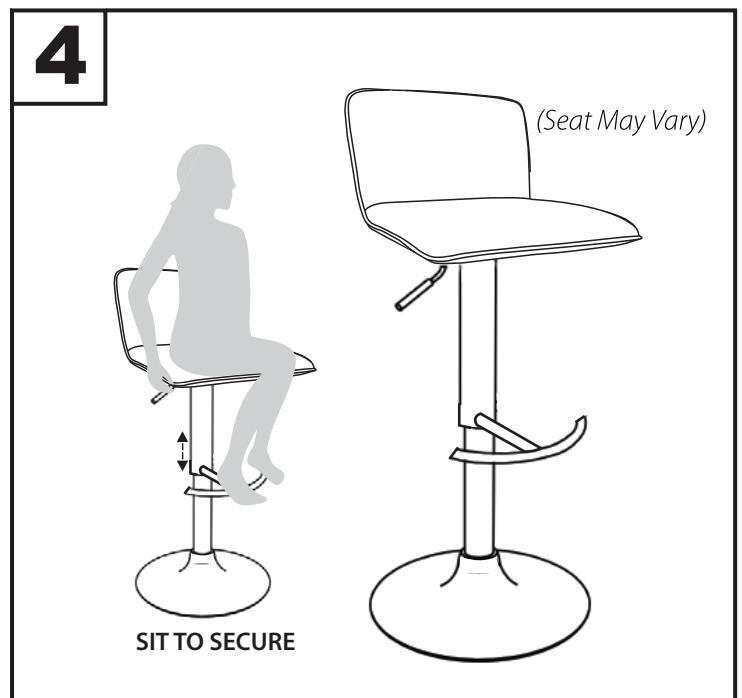
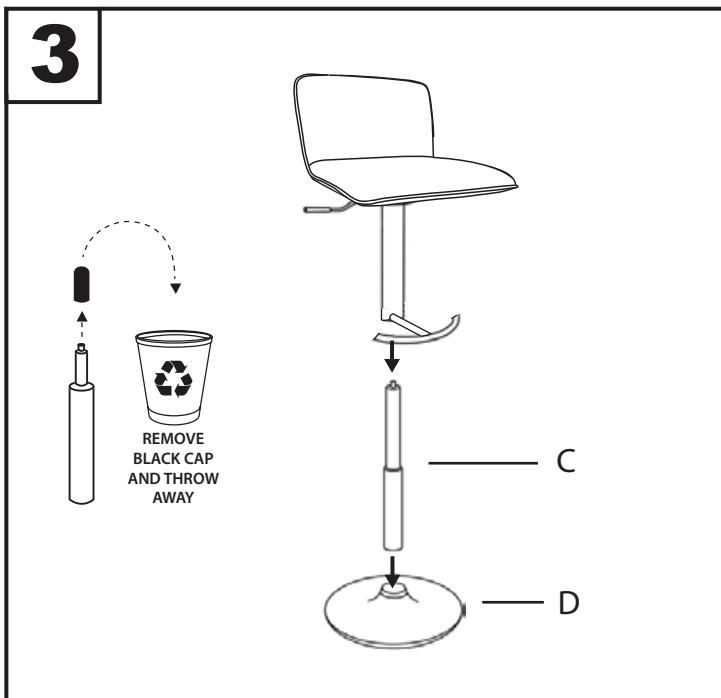
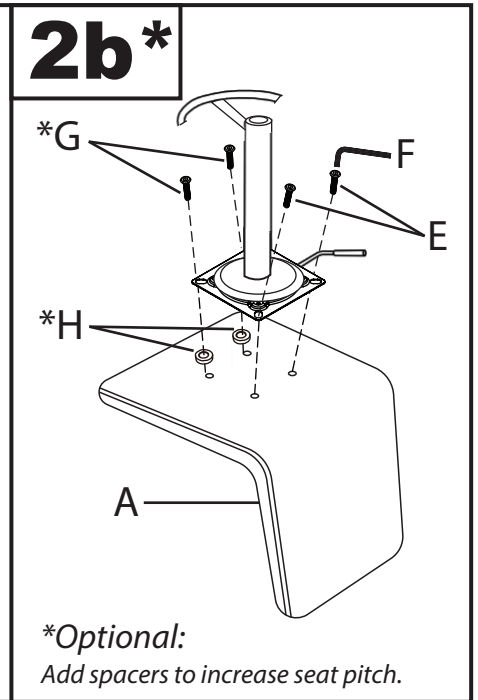
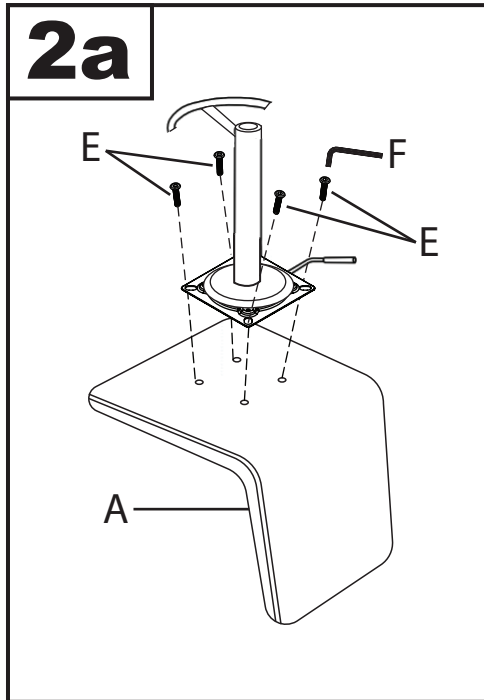
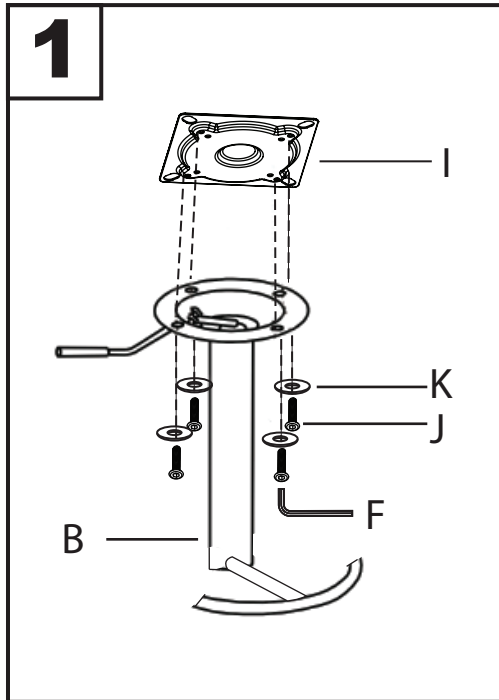
- Read all instructions carefully and completely before assembly and use. Retain for future reference.
- Keep plastic bags and small parts away from children.
- For residential (non-commercial) use only.
- DO NOT stand on product. Use only for intended table purpose.
- Max weight limit 250 lbs.
- Periodically check for loose hardware; re-tighten as necessary.
- DO NOT use product if any component becomes damaged.
- DO NOT use power tools to assemble OR over-tighten hardware.

Adjustable Barstool Base - Rounded T

Part # J33M-RNT R17 XX2 with 3355ADAP

26-0429

 <p>(Seat May Vary) A</p>	<p>PARTS</p>  <p>B C D</p>			 <p>x4 (M6x16mm) E F</p>	 <p>x2 (M6x20mm) (Optional) *G *H</p>	 <p>x2 (Optional) *H</p> <p>x4 (M6x12mm) I J K</p>
-----------------------------------------------------------------------------------------------------------------------	-----------------------------------------------------------------------------------------------------------------------------------------	--	--	---------------------------------------------------------------------------------------------------------------------------------	---------------------------------------------------------------------------------------------------------------------------------------------------	-----------------------------------------------------------------------------------------------------------------------------------------------------------------------------------



Do not over tighten.
Do not use power tools to assemble.